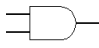
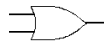
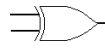
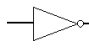
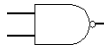
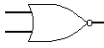



Logic Gates and the Computer World (Truth Tables)								
A	B	$A \wedge B$	$A \vee B$	$A \oplus B$	$\sim A$	$\sim(A \wedge B)$	$\sim(A \vee B)$	$\sim(A \oplus B)$
Computer Symbol		AND	OR	XOR	NOT	NAND	NOR	XNOR
Logic Symbol								
T	T	T	T	F		F	F	T
T	F	F	T	T	F	T	F	F
F	T	F	T	T	T	T	F	F
F	F	F	F	F		T	T	T

The Dance of Number, ©2017 by James D. Nickel. Permission granted to reproduce.